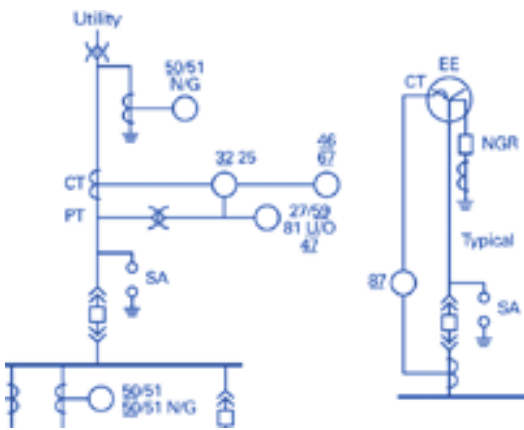




## Knowing where to look for answers today is a valuable commodity



This marks the first issue of our commitment towards a future of developing a very personal relationship with the power distribution consultant. We are dedicating ourselves to become the source of knowledge you can trust; to assist and educate you, the specifying engineer, in the proper design of power systems and, in the optimization of those designs.

This magazine will be published approximately four times a year, devoted to subjects of interest to you, with your participation encouraged. We look forward to a long successful run.

- The Editor

## The Importance Of Reliable Control Power

Today's power systems have the potential to be more reliable, easier to maintain, and simpler to diagnose than ever before. This is made possible by the advent of microprocessors now available in everything from protective devices to programmable logic controllers (PLC's) to monitoring and diagnostic devices. While technology is rushing forward, the underlying implementation of an appropriate power system design is often lagging, especially when it comes to supplying a reliable source of control power. While these 'smart' devices may be considered the brains of the power system, the control power used to sustain them is certainly the heart.

» [More](#)

## The Application of Switchgear and Switchboards

One important element of good power system design is the proper selection of the distribution equipment. The choice of using either switchgear or switchboards must be based on many different criteria and the design of the power system requires thought be given to each one. Following are insights into just a few of the differences to help in making those decisions.

» [More](#)

## A Deeper Look Into Switchgear And Switchboards

Everything is relative and depends on perspective. Like the "half empty, half full" parable, the same application could be seen by one as providing a need for switchgear, and by another for a switchboard. This article will delve into that world of uncertainty and attempt to straighten it out just a little.

» [More](#)

## We need your feedback

In addition to the new *Electrical Specifier Link* e-magazine, we invite you to share your thoughts with us in our [Customer survey](#). We seek to continually improve upon the services we provide and would like your thoughts to help us do so.

» [Take the survey](#)

## Ask the Engineer

Welcome to ask the engineer. In each issue we will answer one application question sent in by you, our readers. Our question comes from Jerry in Rock Island Illinois. Jerry writes:

"I received a switchboard approval drawing recently that indicated that the bus was "heat rated."

*What is heat rated bus?*

» [More](#)

## Insights

*New Cost Effective Energy Mgt. Software Solutions –*

Are you presently designing systems that contain digital meters and relays? Do you have clients that want to view these devices remotely, but express frustration with the cost of deploying custom designed software?

If so, **GE's EnerVista Viewpoint** software is an excellent, cost effective solution.

» [More](#)

## Contact Us

» [E-mail the Editor](#)

» [Ask the Engineer](#)

---

Please do not reply to this e-mail message; this mailbox is not monitored.

You are subscribed to this e-Newsletter as: test@test.com

[Remove Name from E-Mail List](#) | [Subscribe to E-mail List](#) | [Visit GEIndustrial.com](#)

© 2004 General Electric Company. 307 N. Hurstbourne Pkwy, Louisville, KY, 40222, USA.

