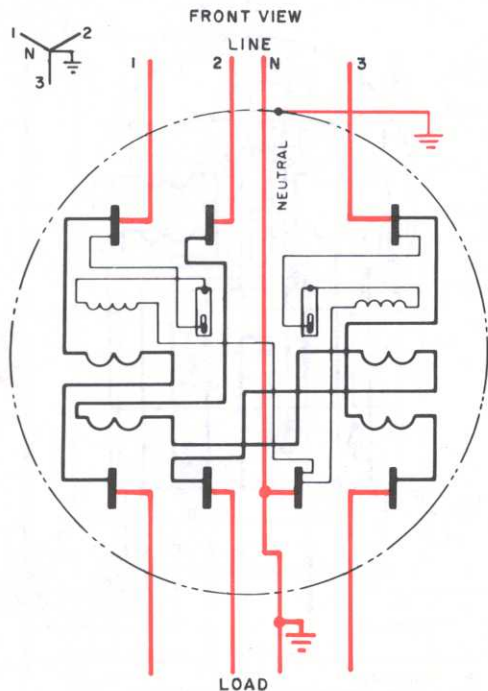


Three-phase, wye, 4-wire circuits

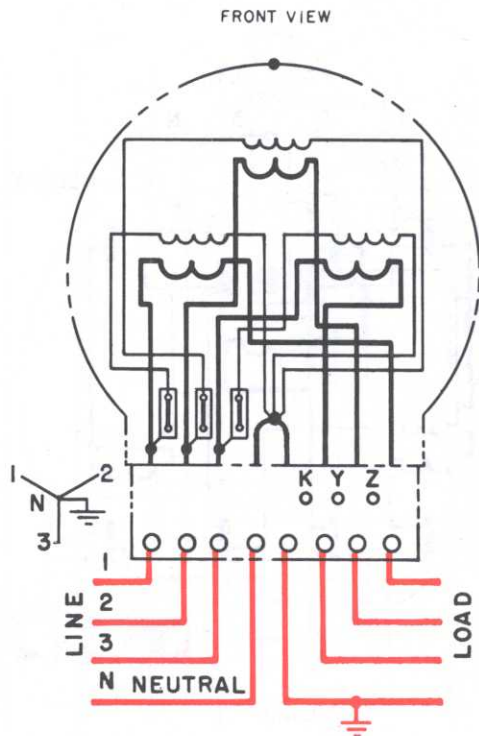
FORM 14S



Type V-65-S, Class 100 or 200, or EV-5-S Class 200, self-contained meter, 120 or 240 volts. For use on 120/208Y- or 277/480Y-volt circuits. 7-jaw socket

Three-phase, wye, 4-wire circuits

FORM 16A



Type V-64-A, Class 100 or 200, self-contained meter, 120 or 240 volts. For use on 120/208Y- or 277/480Y-volt circuits

5