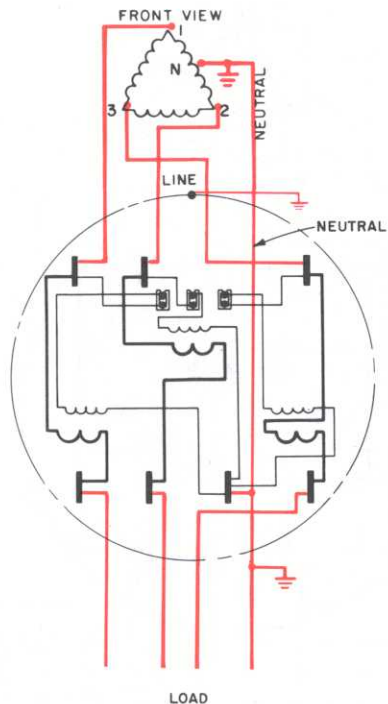


Three-phase, delta, 4-wire circuits

FORM 17S

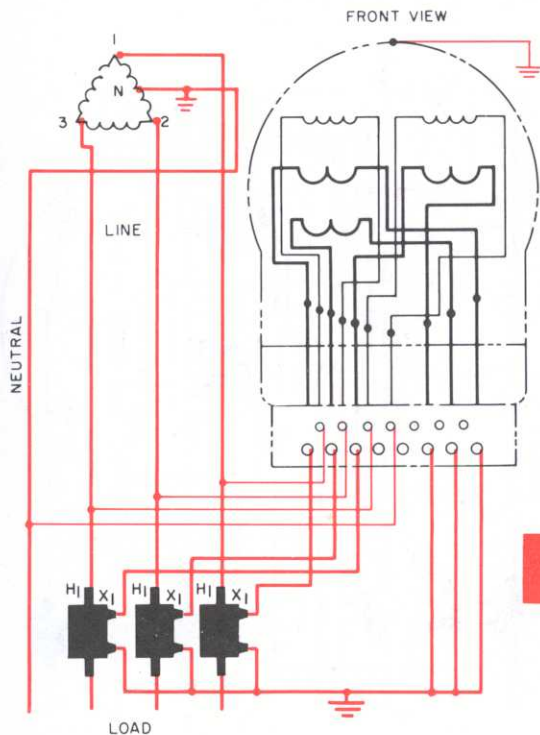


Type EV-7S, 120/240-volt, self-contained meter; 7-jaw socket

52

Three-phase, delta, 4-wire circuits

FORM 8A



Type V-66-A, 240-volt, Class 10 or 20 or EV-6-A Class 20 meter with CT's

53

6